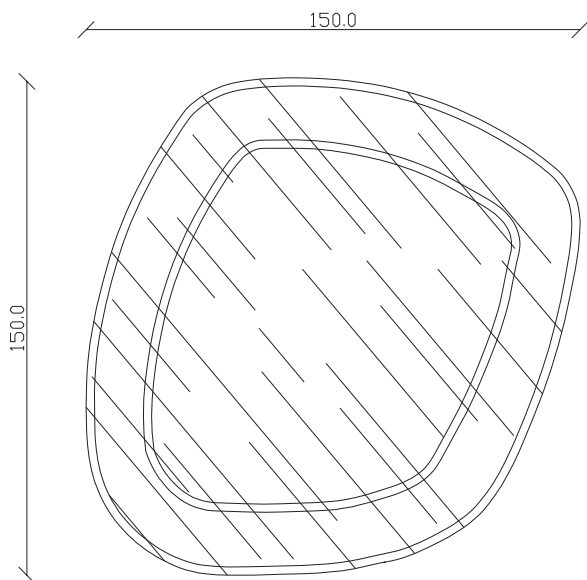


art. A157

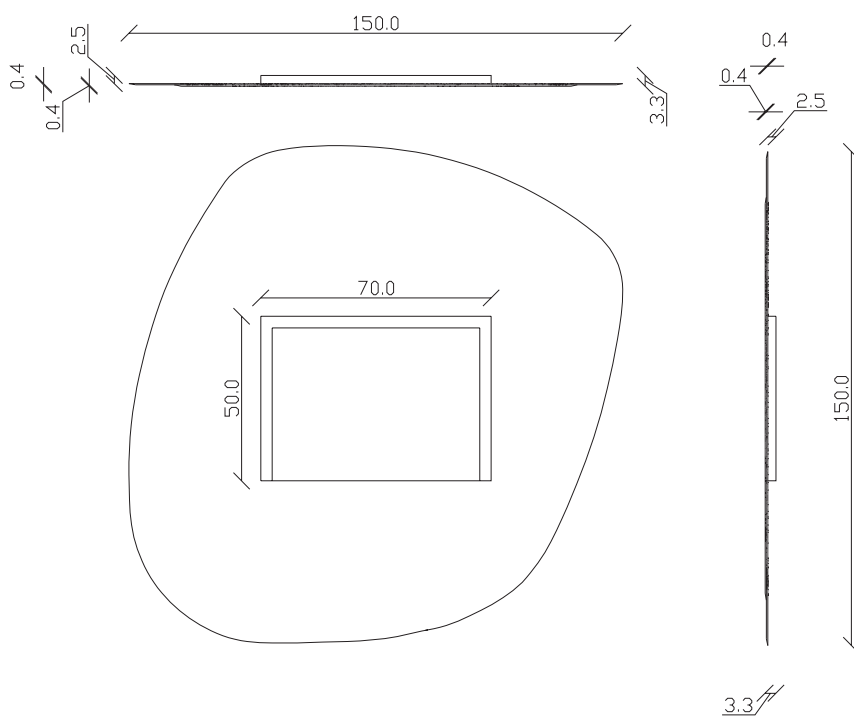
H 150 L 150 cm

kg 45 - m<sup>3</sup>0,30

### SPECCHIO VISTA FRONTALE / front view mirror

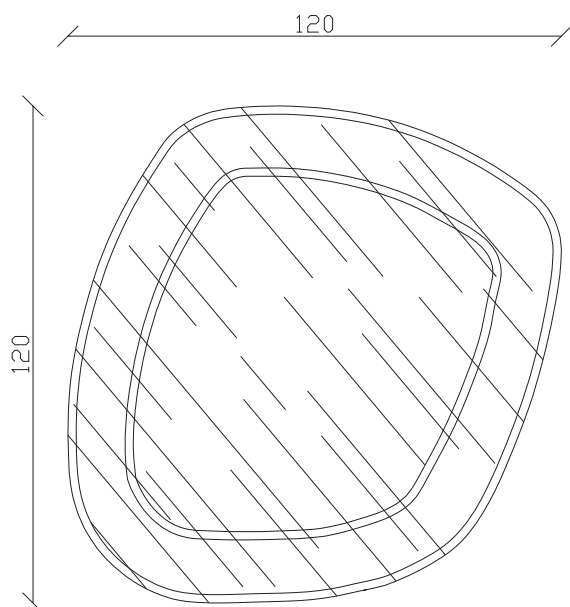


### SPECCHIO VISTA RETRO / rear view mirror



art. A156  
H 120 L 120 cm

SPECCHIO VISTA FRONTALE / front view mirror



SPECCHIO VISTA RETRO / rear view mirror

