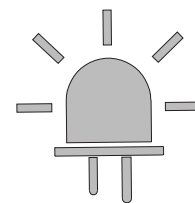


art. A206

H 100 L 100 cm

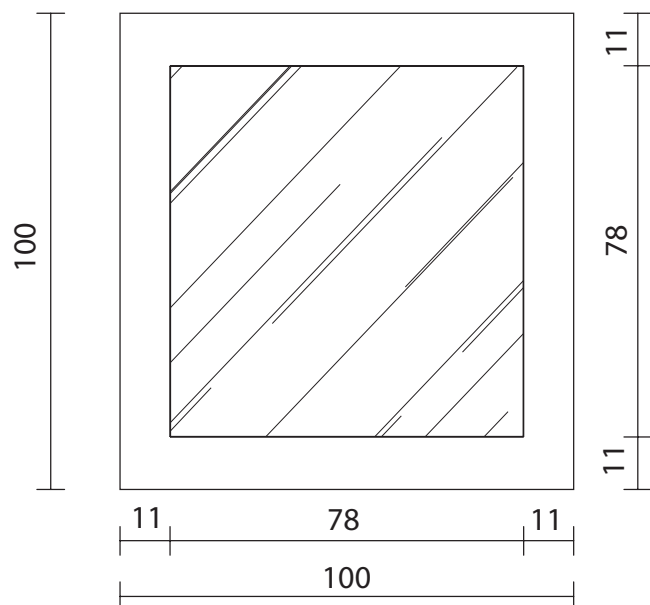


**ENERGY
SAVING**



**LED
LIGHTING**

SPECCHIO VISTA FRONTALE / front view mirror



SPECCHIO VISTA RETRO / rear view mirror

