



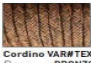


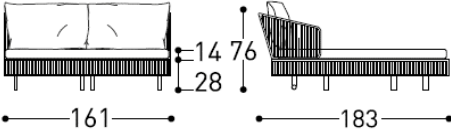

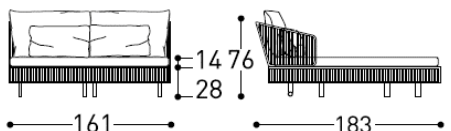





TIBIDABO

Design CALVI BRAMBILLA

Collection in powder coated aluminum frame and hand woven man-made fibre. Cushions in "Dryfeel" outdoor foam.

<p>STRUTTURA STRUCTURE</p>  <p>Grigio Seta Silk Grey</p>  <p>Bronzo Metal Metal Bronze</p>  <p>Grigio Grey</p>	<p>INTRECCIO WEAVING</p>  <p>Cordino PERLA Rope</p>  <p>Cordino VARWEX Rope BRONZO</p>  <p>Cordino GREY Rope BROWN</p>	 <p>1420 Daybed base Base Daybed</p> <table border="1"> <thead> <tr> <th>Pz</th> <th>L</th> <th>P</th> <th>H</th> </tr> </thead> <tbody> <tr> <td>1</td> <td>167</td> <td>189</td> <td>70</td> </tr> <tr> <td></td> <td>65³/₄</td> <td>74³/₈</td> <td>27¹/₂</td> </tr> </tbody> </table> <p>m³ 2,209 - Kg 62,0 tot. Kg 53,0 net 32,0 + 21,0 cusc.</p> <p>Cuscini compresi Cushions included</p> <p>cuscino seduta e 2 cuscini schienale inclusi seat and 2 back cushions included 2 pz - art. 2729 (70X55)</p> 	Pz	L	P	H	1	167	189	70		65 ³ / ₄	74 ³ / ₈	27 ¹ / ₂	 <p>1420A Daybed CONFORT CONFORT Daybed</p> <table border="1"> <thead> <tr> <th>Pz</th> <th>L</th> <th>P</th> <th>H</th> </tr> </thead> <tbody> <tr> <td>1</td> <td>167</td> <td>189</td> <td>70</td> </tr> <tr> <td></td> <td>65³/₄</td> <td>74³/₈</td> <td>27¹/₂</td> </tr> </tbody> </table> <p>m³ 2,209 - Kg 64,0 tot. Kg 55,0 net 32,0 + 23,0 cusc.</p> <p>Cuscini compresi Cushions included</p> <p>cuscino seduta e 4 cuscini schienale inclusi seat and 4 back cushions included 2 pz - art. 2729 (70X55) 2 pz - art. 2726 (60X40)</p> 	Pz	L	P	H	1	167	189	70		65 ³ / ₄	74 ³ / ₈	27 ¹ / ₂
Pz	L	P	H																								
1	167	189	70																								
	65 ³ / ₄	74 ³ / ₈	27 ¹ / ₂																								
Pz	L	P	H																								
1	167	189	70																								
	65 ³ / ₄	74 ³ / ₈	27 ¹ / ₂																								
<p>istruzioni d'uso using instruction</p> <p>telo copertura cover</p> <p>IGSED</p> <p>9424C</p>  <p>MUNTO DI 2 PIECE CON RUOTE 2 FEET WITH WHEELS</p>																											

STRUCTURAL COMPONENTS

DAYBED WITH POWDER COATED ALUMINIUM FRAME AND SYNTHETIC FIBER WEAVING. FEET IN POLYPROPYLENE.

SEAT: QUICK DRY POLYURETHANE PADDING IN SEVERAL DENSITIES + RESIN POLYESTER FIBER, WITH OUTSIDE TOP MESH IN POLYESTER AND OUTSIDE BOTTOM MESH IN POLYPROPYLENE. REMOVABLE CUSHION COVER.

BACK CUSHION: 100% SPIRAL SILICON POLYESTER FIBER PADDING WITH OUTSIDE MESH IN POLYPROPYLENE. REMOVABLE CUSHION COVER.

CHARACTERISTICS OF THE MATERIALS

CHARACTERISTICS OF THE MATERIALS AND FABRICS ARE DESCRIBED IN THE WEBSITE www.varaschin.it FOLDER "MATERIALS" AND YOU CAN DOWNLOAD FROM FOLDER "DOWLOAD-MATERIALS".

INSTRUCTIONS FOR USING THE PRODUCT PROPERLY AND SAFELY

VARASCHIN IS NOT LIABLE FOR DAMAGE CAUSED BY IMPROPER USE. THE SAME APPLIES TO DAMAGE DERIVING FROM USE IN EXTREME WEATHER CONDITIONS OR LACK OF CARE. TIPS FOR EXTENDING LONGEVITY OF COMPONENTS: DURING THE WINTER STORE IN A DRY AND CLOSED PLACE TO AVOID CONDENSATION .

DO NOT STEP ON WITH FEET. DO NOT SWING BACK AND FORTH ON THE LEGS. DO NOT SIT ON THE BACK OR ON ARMS. DO NOT USE AS A LADDER. BUTTONS AND THE ZIPPERS OF CLOTHING MAY CAUSE DAMAGE TO THE MATERIALS. IF NECESSARY, PLEASE CONTACT VARASCHIN SPA.

GENERAL INSTRUCTIONS FOR MAINTENANCE AND CLEANING

FOR DAILY CLEANING USE A DRY COTTON CLOTH. FOR MORE THOROUGH CLEANING USE ONLY A NEUTRAL PRODUCT DILUTED IN WARM WATER. NEVER USE ALCOHOL, AMMONIUM, THINNERS OR ABRASIVE PRODUCTS. IN MARINE ENVIRONMENTS ARTICLE SHOULD BE WEEKLY WHASED WITH FRESH WATER.

FOR CLEANING AND TAKING CARE OF ALL MATERIALS AND FABRICS, SEE THE FOLDER "DOWNLOAD-MAINTENANCE" FROM OUR WEBSITE www.varaschin.it OR ASK FOR IT VIA E-MAIL AT customercare@varaschin.it

GENERAL INFORMATION

N.B.: VARASCHIN SPA GUARANTEES THAT THE PRODUCT IS MADE OF QUALITY MATERIALS, USING THE BEST TECHNOLOGIES IN THE TRADE. THE COMPANY DECLINES ALL AND ANY LIABILITY FOR DAMAGE TO PERSONS AND/OR THINGS DUE TO IMPROPER USE OF THE PRODUCT. IF IN DOUBT PLEASE CONTACT THE MANUFACTURER.

DISPOSAL

PLEASE DO NOT JUST THROW OUT THE PIECE OF FURNITURE OR ANY PART OF IT. AT THE END OF ITS USE, PROVIDE FOR THE RECYCLING OR DISPOSAL OF THE COMPONENTS IN THE APPROPRIATE AREAS.

FIRE-FIGHTING MEASURES

ALTHOUGH THE PRODUCT IS NOT INFLAMMABLE, IT IS COMBUSTIBLE. THERE ARE NO RESTRICTIONS ON THE TYPES OF EXTINGUISHERS: POWDER, WATER, FOAM OR CO2. USE SUITABLE PROTECTION TO AVOID BREATHING IN FUMES. DURING DISPOSAL TAKE SPECIAL CARE TO PROTECT THE RESPIRATORY SYSTEM.

PRODUCT WARRANTY

REFER TO ARTICLE 3 "PRODUCT WARRANTY" PUBLISHED ON SALES CONDITIONS, DOCUMENTS OF SALE, WEBSITE www.varaschin.it

TECHNICAL INFO SHEET: This product information sheet complies with Italian Legislative Decree No. 206 of 6 September 2005, "Consumer Code".

The information given above refers to the latest data published in the price list. The company reserves the right to alter the models without notice.

COMPANY WITH SYSTEM MANAGEMENT QUALITY CERTIFIED **UNI EN ISO 9001: 2015**