

TANGO T LIBRERIA BOX

Design · R&C Reflex



- 1
- 2
- 3
- 4

ANTE DOORS | 3

Vetro
Glass



London bronzo
Bronze london

London fumè
Smoked london

MARMOREFLEX*

Vetro Marmo
Marble glass



MATERIAL SHEET- D

LEGNOREFLEX*

Vetro Legno
Wood glass



MATERIAL SHEET- D

Vetro verniciato
Lacquered glass



100M Bronze
100M Bronze

esterno/exterior

interno/interior

MENSOLE SHELVES | 1

Legno
Wood

sp./thick 60 mm.

finitura/finish



100M Bronze
100M Bronze

104M Ottone satinato
104M Satin Brass



105M Ottone dark satinato
105M Satin dark brass

101M Titanium satinato
101M Satin Titanium



Noce Canaletto
Canaletto walnut

Legno laccato opaco o lucido
Matt or shiny lacquered wood



MATERIAL SHEET- C

Colori di serie
Standard colours

DIVISORI E SCHIENA DIVISIONS AND BACK | 2

Vetro
Glass

sp./thick 10 mm.



Bronzo
Bronze

Fumè
Smoked

MARMOREFLEX*

* Vetro Marmo
* Marble glass



MATERIAL SHEET- D

LEGNOREFLEX*

* Vetro Legno
* Wood glass



MATERIAL SHEET- D

* solo moduli Tv - Composition B
* only for TV modules - Composition B

CERNIERE HINGES | 4

Metallo
Metal

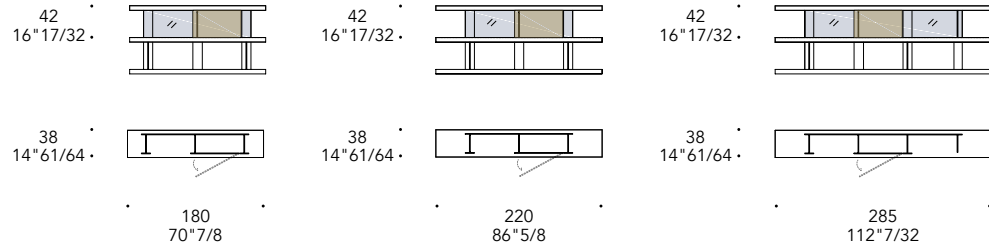


Acciaio lucido
Shiny steel

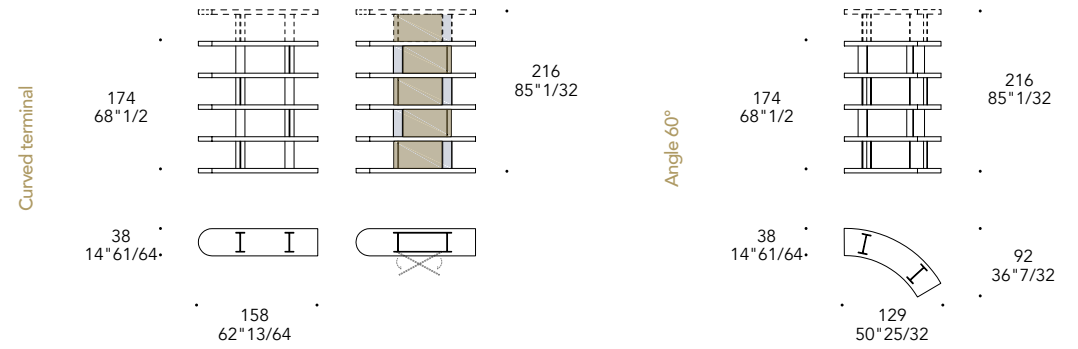
TANGO T LIBRERIA BOX

Design · R&C Reflex

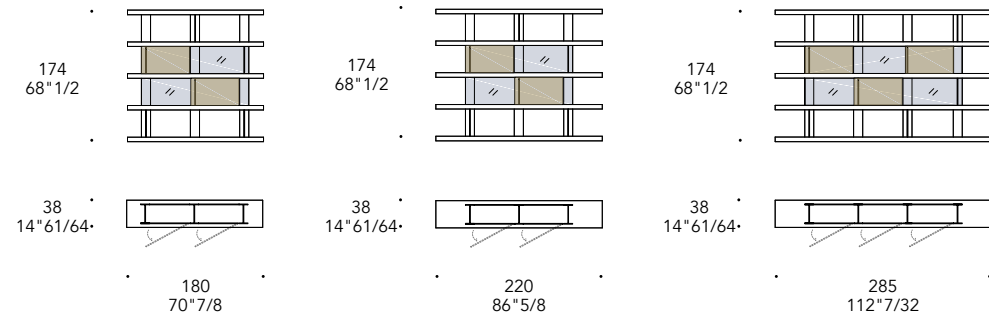
Basic modularity



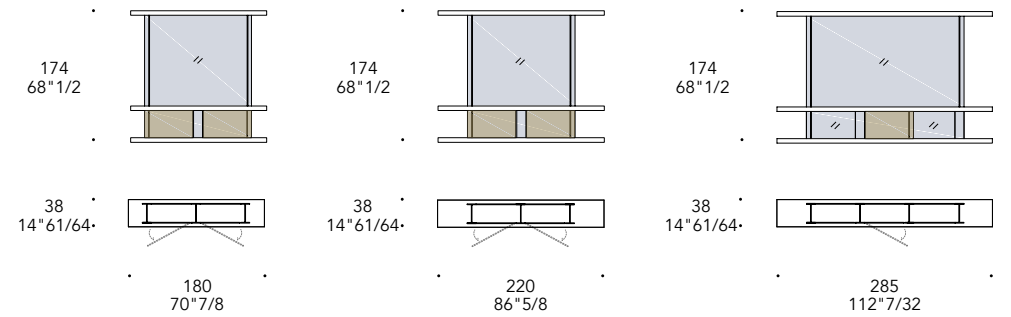
5/6 shelves



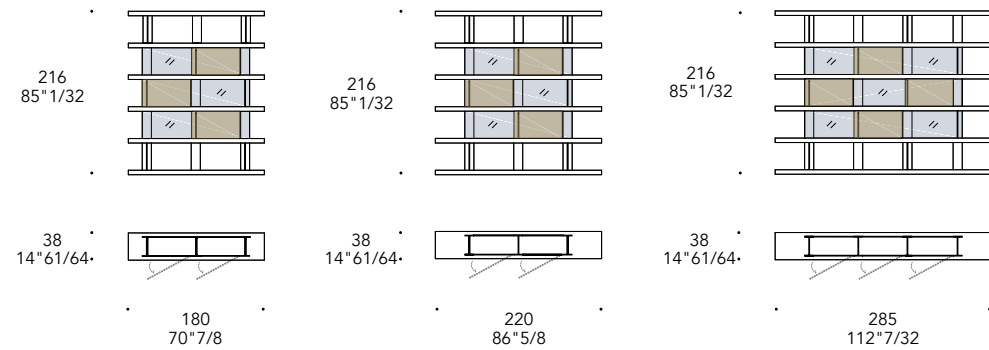
5 shelves



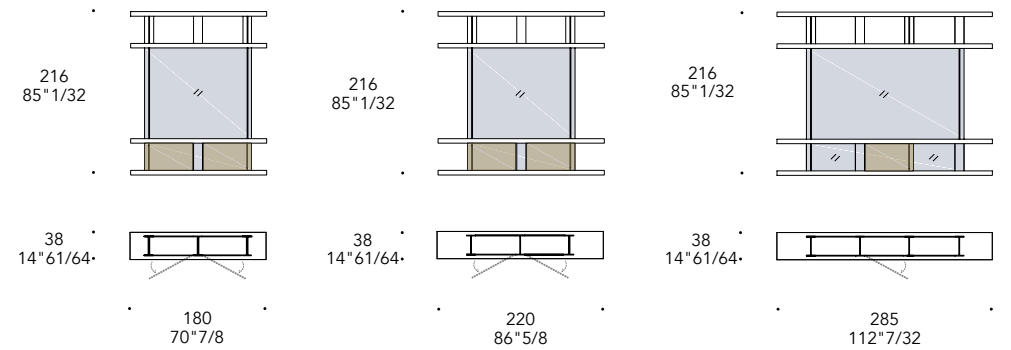
5 shelves



6 shelves



6 shelves

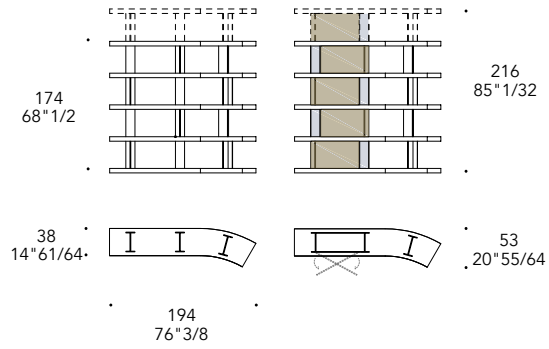


Composition A

Composition B

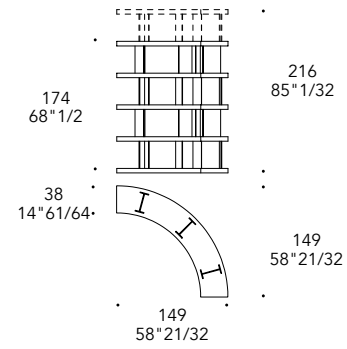
Angle 30°

5/6 shelves






Angle 90°

5/6 shelves

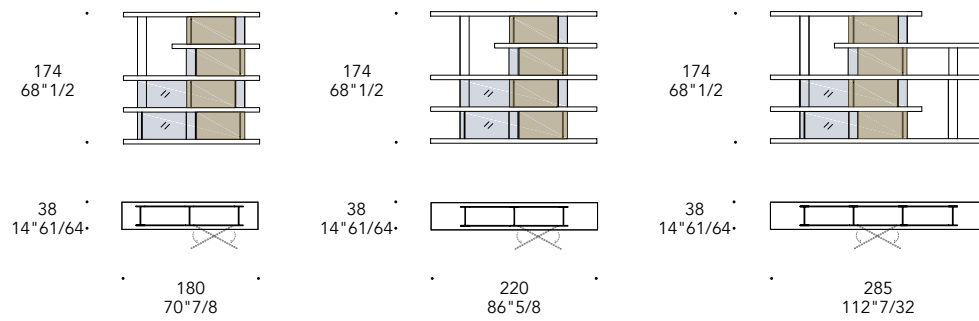


Caption

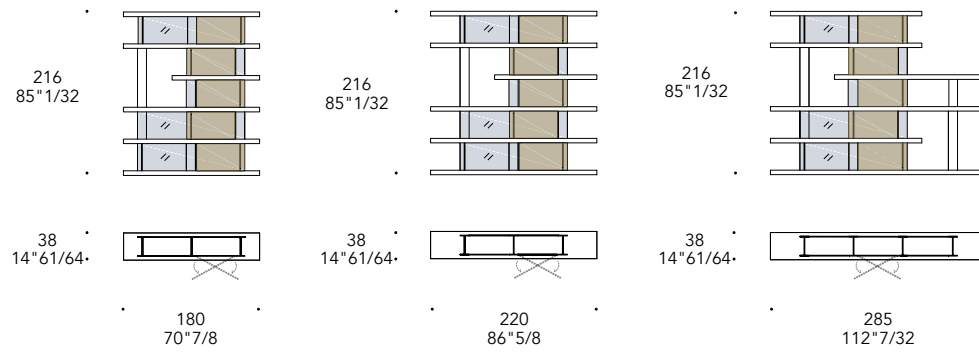
-  Schiena in vetro/ Glass Back
-  Anta in vetro/ Glass Door
-  Apertura anta/ Door opening

Composition C

5 shelves



6 shelves



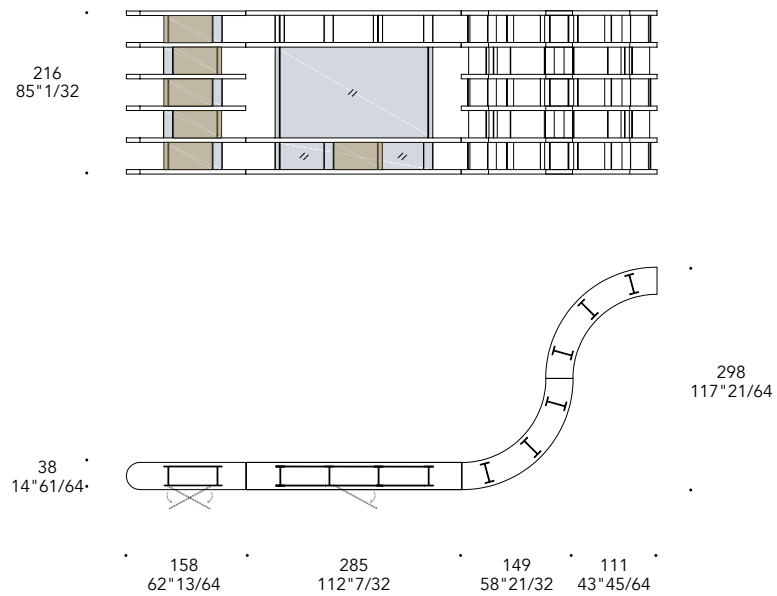
TANGO T LIBRERIA BOX

Design · R&C Reflex

EXAMPLES OF COMPOSITIONS

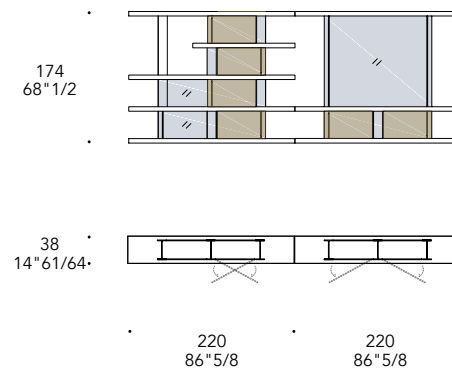
Example 1_ 703 x 298 x 216 h

Tango T box + Curved terminals



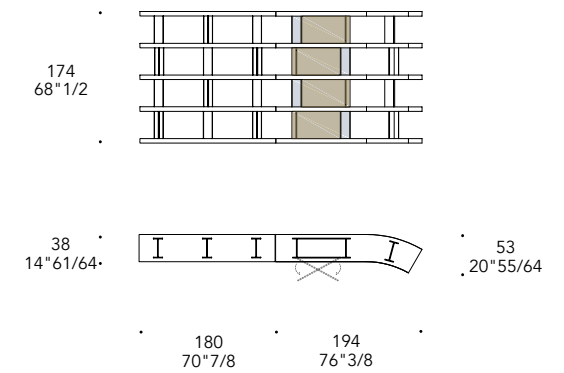
Example 2_ 440 x 38 x 174 h

Tango T box



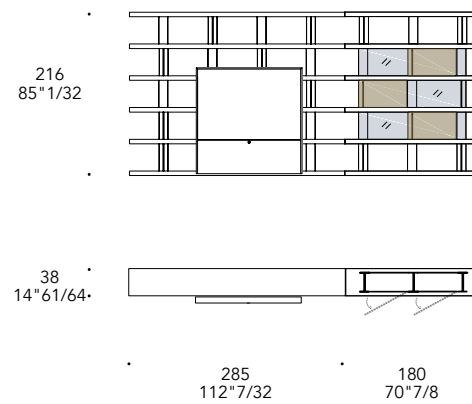
Example 3_ 374 x 53 x 174 h

Tango T + Tango T box



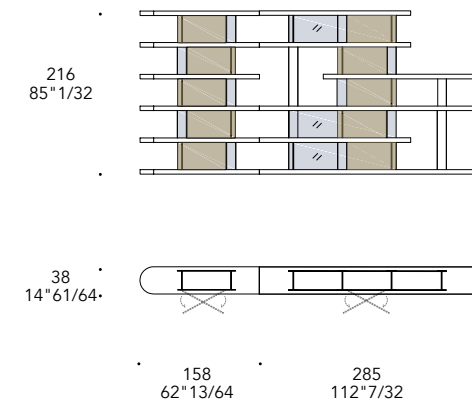
Example 4_ 465 x 38 x 216 h

Tango T anta TV + Tango T box



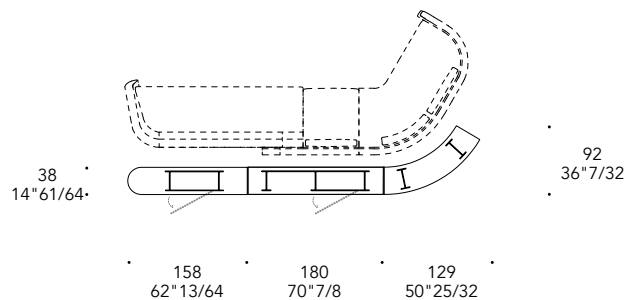
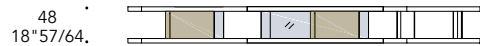
Example 5_ 438 x 38 x 216 h

Tango T box



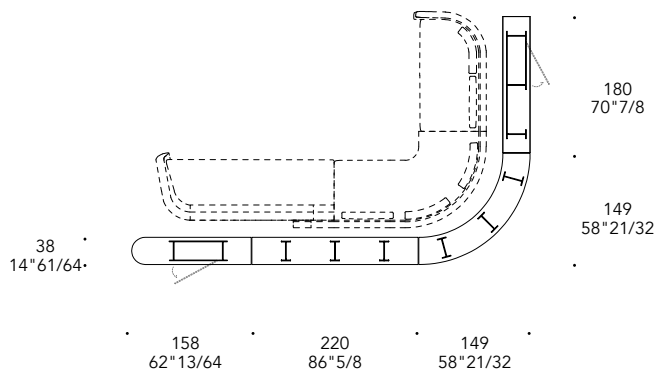
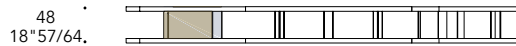
Example 6_ 467 x 92 x 48 h
Tango T box in composition with sofas

Angle 60°



Example 7_ 527 x 329 x 48 h
Tango T box in composition with sofas

Angle 90°



Example 7_ 351 x 142 x 48 h
Tango T box in composition with sofas

Angle 30°

