

SPEEDFORM LAMPADARIO

Design · *pininfarina*



ELEMENTI ELEMENTS | 1

Materiale composito
Composite material

- Led interno / Led inside
24W STRIP 12V 2700-3000K



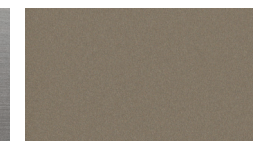
finitura/finish

104M Ottone satinato
104M Satin brass

105M Ottone dark satinato
105M Satin dark brass



101M Titanium satinato
101M Satin titanium



100M Bronze
100M Bronze



107M Rame
107M Copper

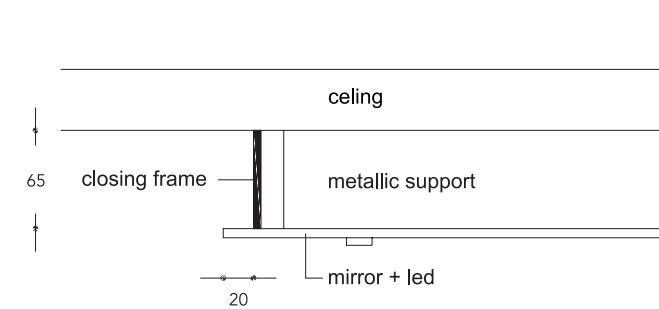
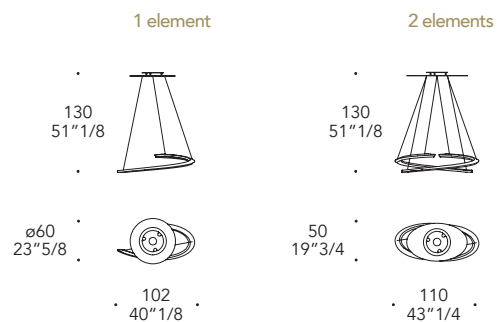
SUPPORTO SUPPORT | 2

Vetro a specchio
Mirror glass

- Led incassato / Led inside
6x 3W 12V 2700-3000K



Specchio
Mirror



- Cornice di tamponamento in ferro verniciato nero tra soffitto e supporto
- Closing frame between ceiling and plate in black lacquered iron