

SEGNO SOFA WOOD

Design · *pininfarina*



PIATTAFORMA PLATFORM | 4

Legno
Wood



Noce canaletto
Canaletto walnut



Canaletto Hennè
Hennè Canaletto



Ebano lucido
Shiny ebony

Legno verniciato
Lacquered wood



100M Bronze
100M Bronze



104M Ottone satinato
104M Satin Brass

finitura/finish



105M Ottone dark satinato
105M Satin dark brass



101M Titanium satinato
101M Satin Titanium

STRUTTURA STRUCTURE | 1

Legno imbottito rivestito in
Padded wood upholstery in:

Tessuto
Fabric



MATERIAL SHEET- A

Super
Extra
Luxury

Pelle
Leather



MATERIAL SHEET- B

Cat C
Nabuk
Colorata

CUSCINI DI SEDUTA E SCHIENALE | 2 SEAT AND BACK CUSHIONS

Rivestito in
Upholstery in:

Tessuto
Fabric



MATERIAL SHEET- A

Super
Extra
Luxury

Pelle
Leather



MATERIAL SHEET- B

Cat C
Nabuk
Colorata

PIEDINI FEET | 3

Metallo
Metal



100M Bronze
100M Bronze



104M Ottone satinato
104M Satin Brass

finitura/finish



105M Ottone dark satinato
105M Satin dark brass



101M Titanium satinato
101M Satin Titanium



Model **M**



Model **I**



Model **D**

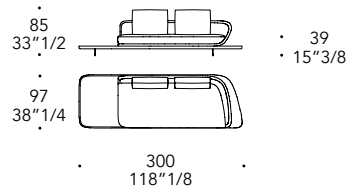


Model **H**

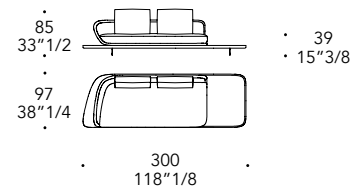
SEGNO SOFA WOOD

Design *pininfarina*

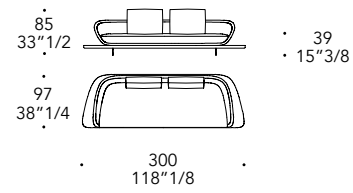
A dx



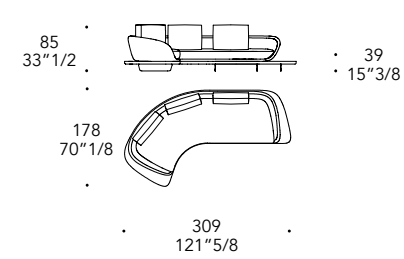
A sx



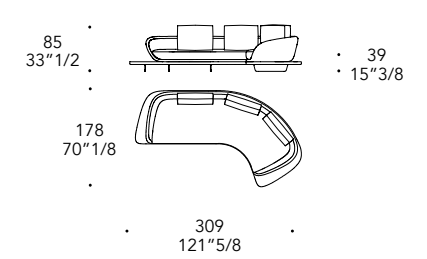
B



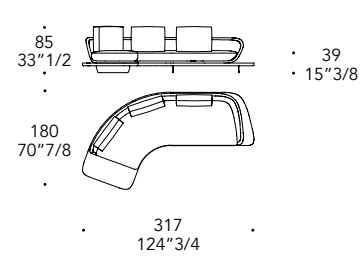
C arms dx



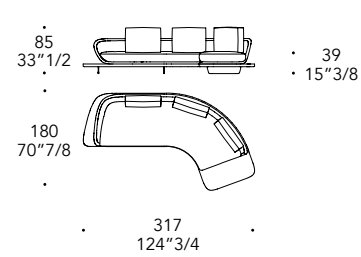
C arms sx



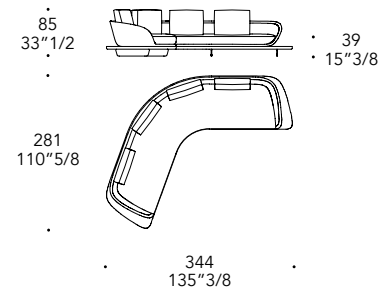
C dx



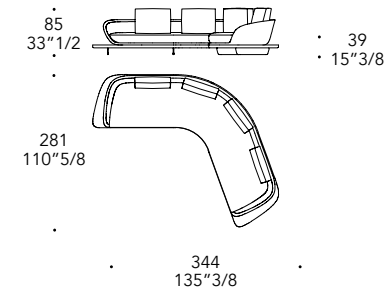
C sx



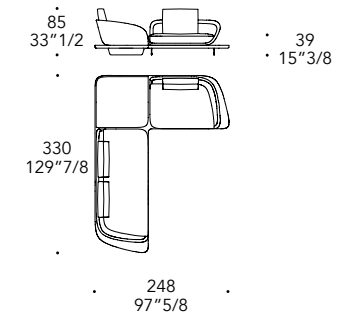
D dx



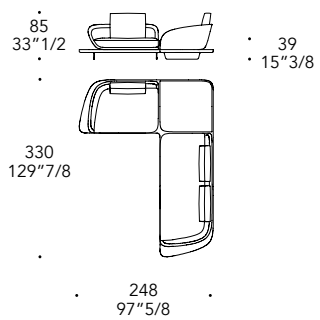
D sx



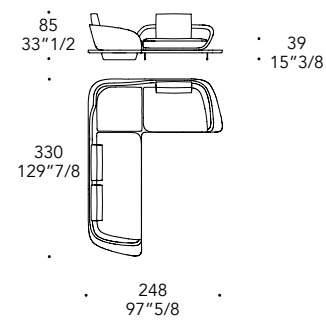
E dx inlay



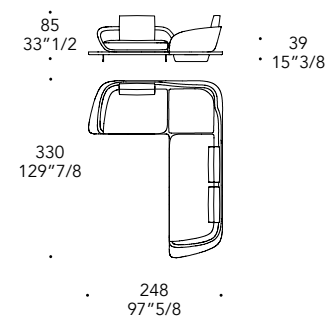
E sx inlay



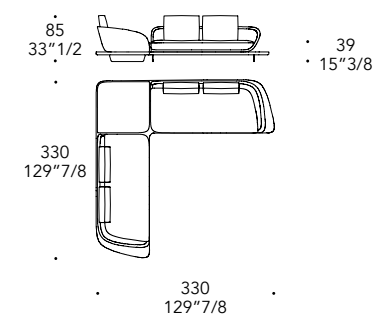
F dx



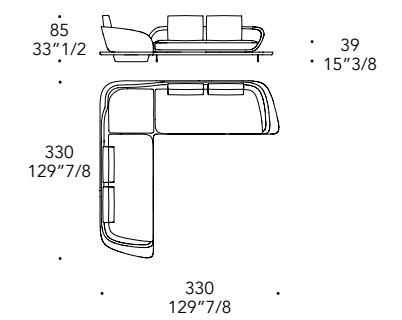
F sx



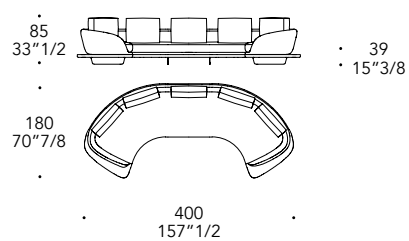
G inlay



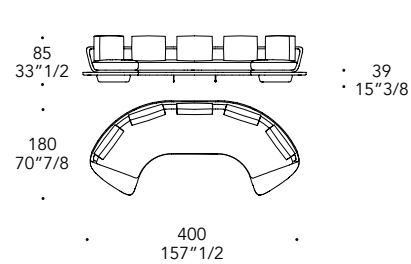
H



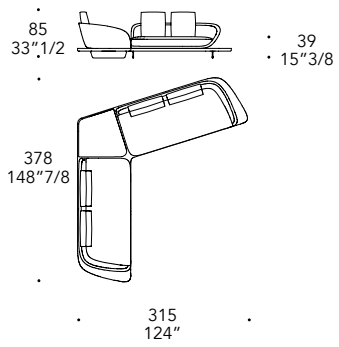
I arms



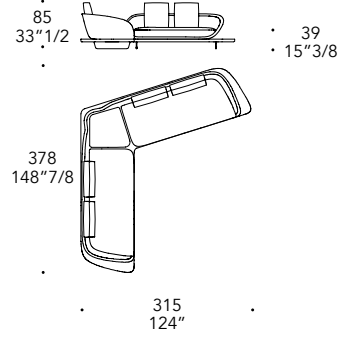
I



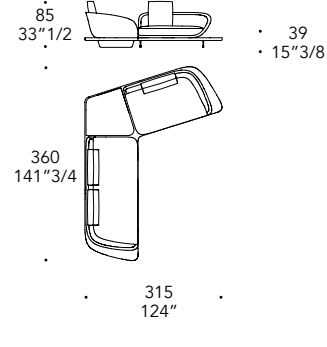
L inlay



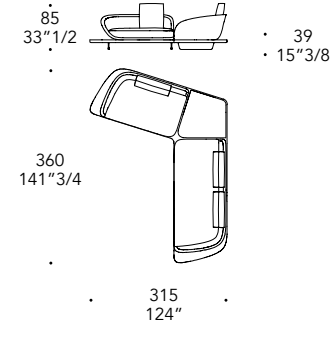
M



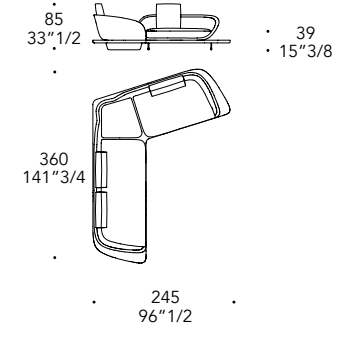
N dx inlay



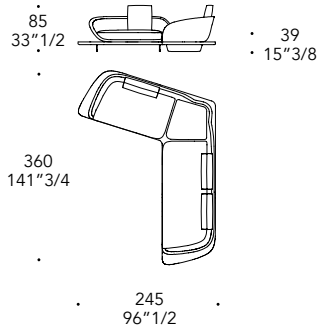
N sx inlay



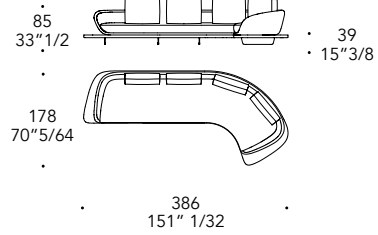
O dx



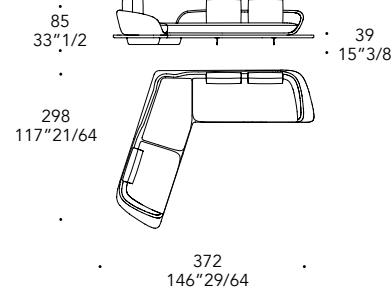
O sx



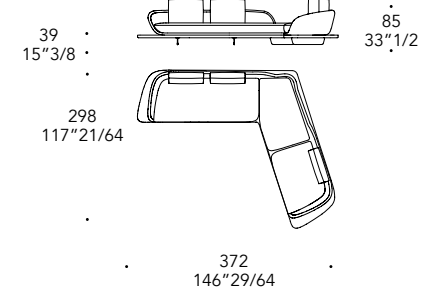
P sx



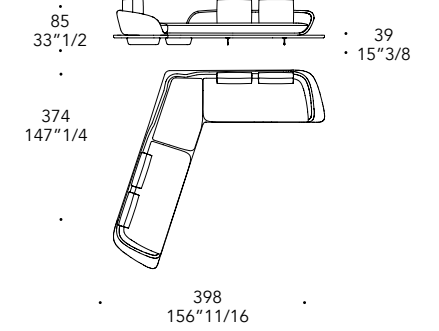
Q dx



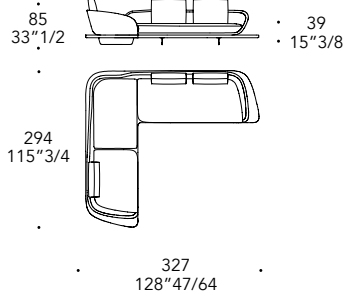
Q dx



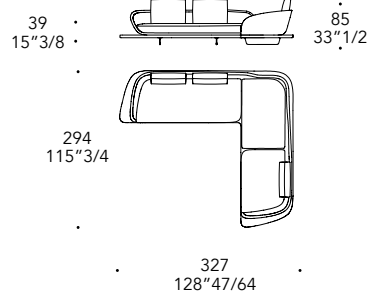
R



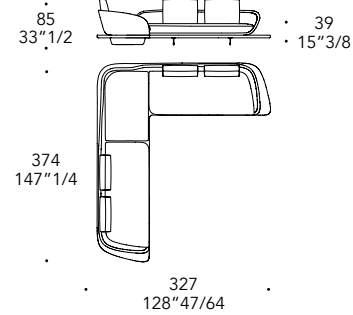
S dx



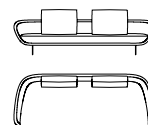
S sx



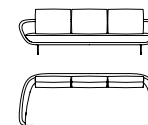
T



B - STANDARD CUSHIONS



B - SMALL CUSHIONS



* PER OGNI MODELLO POSSIBILITÀ DI AVERE I CUSCINI DI SCHIENALE/
 FOR EACH MODEL IT IS POSSIBLE TO HAVE THE BACK CUSHIONS
 SMALL (L 55 X 45)