

PRISMA 72 STEEL

Design · Riccardo Lucatello



TOP | 1

Vetro temperato
Tempered glass

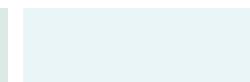


sp./thick 15 mm.

filo lucido/polished edges



Trasparente
Transparent



Extrachiario
Extra clear

MARMOREFLEX*

Vetro Marmo
Marble glass



MATERIAL SHEET- D

LEGNOREFLEX*

Vetro Legno
Wood glass



MATERIAL SHEET- D

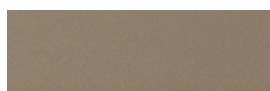


sp./thick 10+4 mm.

filo Wing/Wing edge

BASE | 2

Metallo
Metal



100M Bronze
100M Bronze

finitura/finish



104M Ottone satinato
104M Satin brass



105M Ottone dark satinato
105M Satin dark brass



101M Titanium satinato
101M Satin titanium

Bevel wood legno
Bevel wood



sp./thick 40 mm.



Noce Canaletto
Canaletto Walnut



Noce Canaletto Hennè
Canaletto Hennè

Bevel vetro marmo
Bevel marble glass

MARMOREFLEX*



MATERIAL SHEET- D

Bevel vetro legno
Bevel wood glass

LEGNOREFLEX*



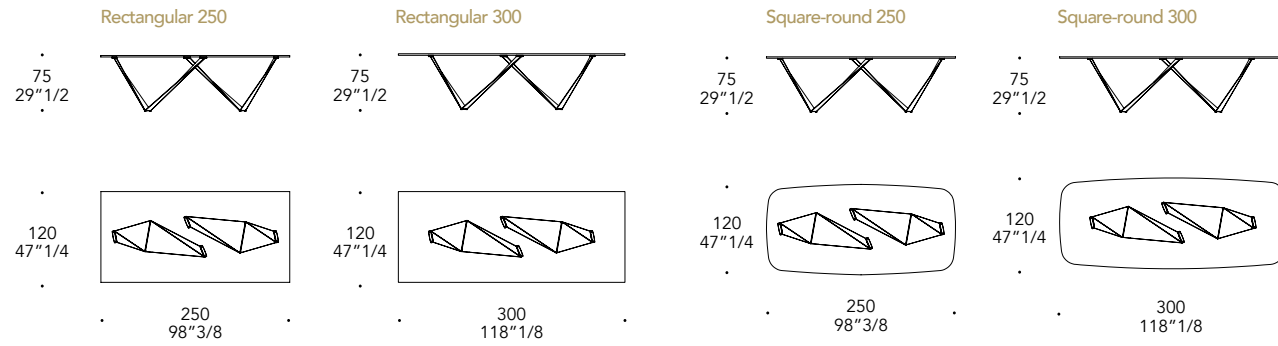
MATERIAL SHEET- D



sp./thick 40 mm.

Bordo in tinta finitura gamba
Edge matching leg finish

VETRO, MARMOREFLEX E LEGNOREFLEX
 GLASS, MARMOREFLEX AND LEGNOREFLEX



BEVEL WOOD, BEVEL WOOD MARMOREFLEX E LBEVEL WOOD LEGNOREFLEX
 BEVEL WOOD, BEVEL WOOD MARMOREFLEX AND BEVEL WOOD LEGNOREFLEX

