

# PAPILLON 72

Design · Arnaldo Gamba



## TOP | 1

Vetro  
Glass

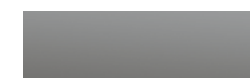


Trasparente  
Transparent

Extrachiaro  
Extra clear



sp./thick 15 mm.  
bisello/bevel 45 °  
filo lucido/polished edges  
sp./thick 12 mm.



Vetro Fumé  
Smoked glass

Vetro Marmo  
Marble glass

**MARMOREFLEX\***



MATERIAL SHEET- D

Vetro Legno  
Wood glass

**LEGNOREFLEX\***



MATERIAL SHEET- D



sp./thick 10+4 mm.  
filo Wing/Wing edge

Bevel wood legno  
Bevel wood



Noce Canaletto  
Canaletto walnut

Noce Canaletto Hennè  
Canaletto Hennè



sp./thick 40 mm.

Bevel vetro marmo  
Bevel marble glass

**MARMOREFLEX\***



MATERIAL SHEET- D

Bevel vetro legno  
Bevel wood glass

**LEGNOREFLEX\***



MATERIAL SHEET- D



sp./thick 40 mm.

Bordo in  
Edge in:



100M Bronze  
100M Bronze

## BASE | 2

Ferro  
Iron



100M Bronze  
100M Bronze

finitura/finish



104M Ottone satinato  
104M Satin brass

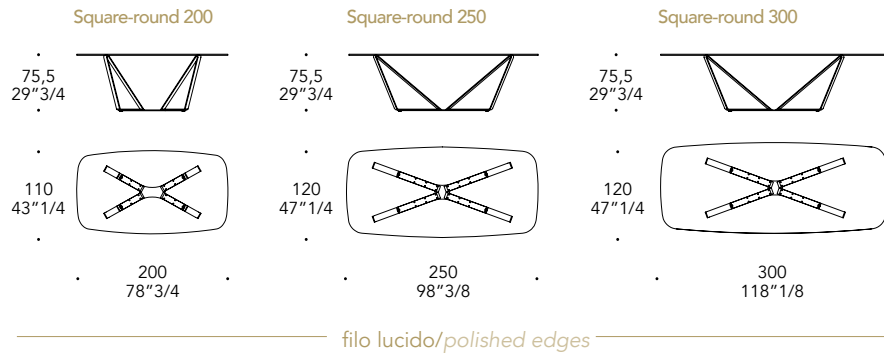
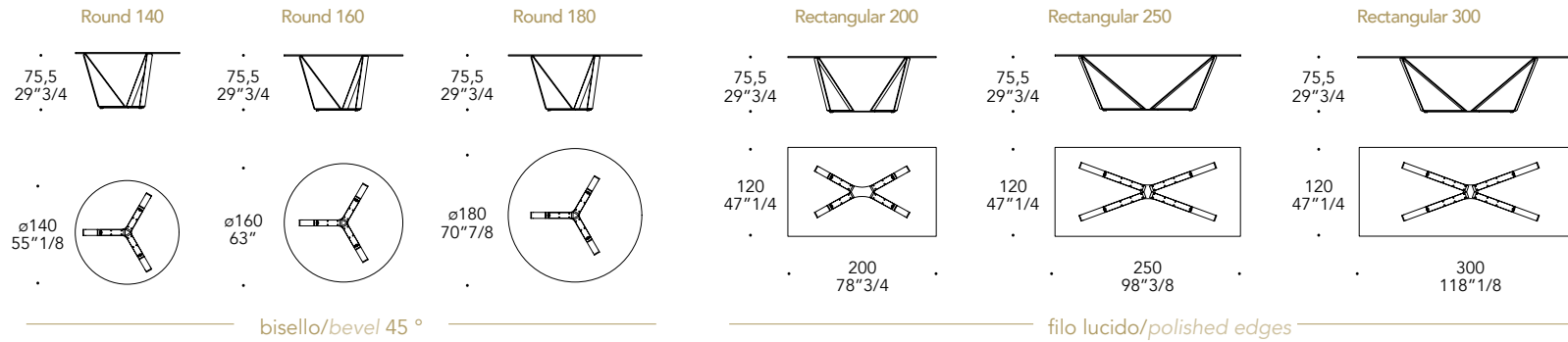


105M Ottone dark satinato  
105M Satin dark brass



101M Titanium satinato  
101M Satin titanium

VETRO, MARMOREFLEX E LEGNOREFLEX  
GLASS, MARMOREFLEX AND LEGNOREFLEX



BEVEL WOOD, BEVEL WOOD MARMOREFLEX E BEVEL WOOD LEGNOREFLEX  
BEVEL WOOD, BEVEL WOOD MARMOREFLEX AND BEVEL WOOD LEGNOREFLEX

