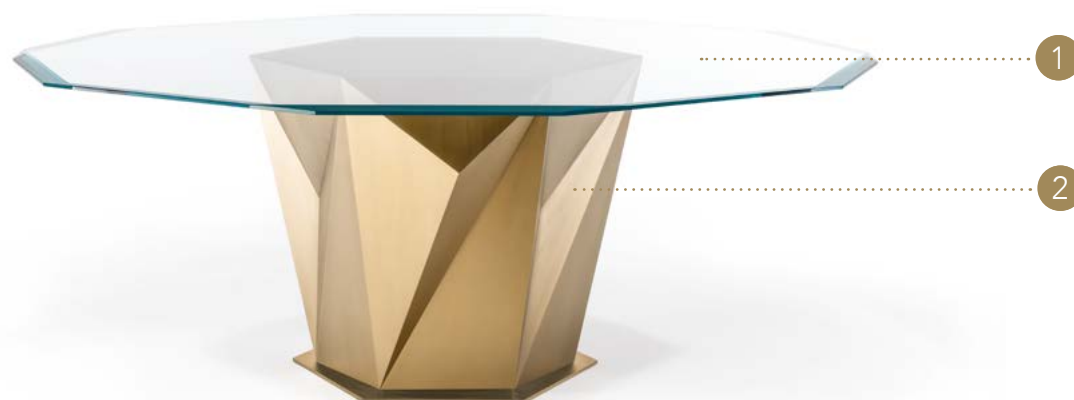


ORIGAMI 72

Design · Tulczinsky

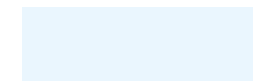


TOP | 1

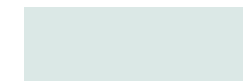
Vetro
Glass



sp./thick 15 mm.
filo lucido/polished edges
bisello 35 mm/35 mm bevel



Extrachiaro
Extra clear



Trasparente
Transparent



Fumè
Smoked

Vetro Marmo
Marble glass
MARMOREFLEX*



MATERIAL SHEET- D

Vetro Legno
Wood glass
LEGNOREFLEX*



MATERIAL SHEET- D



sp./thick 10+4 mm.
filo Wing/Wing edge

Vetro verniciato
Lacquered glass



bisello 35 mm/35 mm bevel

105M Ottone dark satinato
105M Satin dark Brass

BASE | 2

Legno
Wood



100M Bronze
100M Bronze

104M Ottone satinato
104M Satin Brass

finitura/finish



105M Ottone dark satinato
105M Satin dark Brass

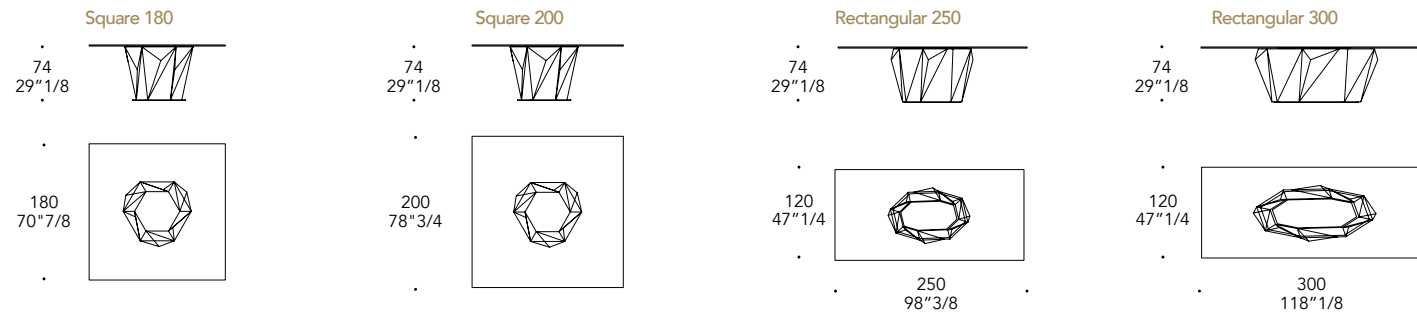
101M Titanium satinato
101M Satin Titanium



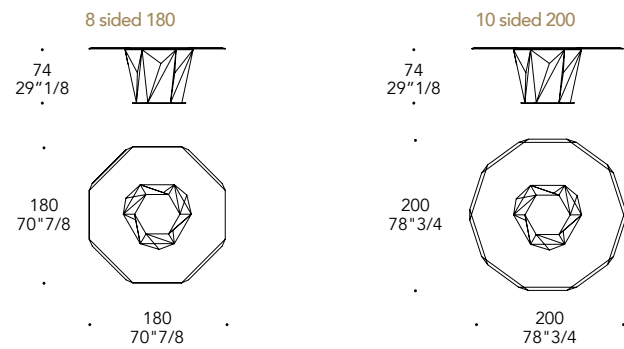
Noce canaletto
Canaletto walnut

Noce Canaletto Hennè
Canaletto Hennè

VETRO, VETRO MARMO E VETRO LEGNO
GLASS, MARBLE GLASS AND WOOD GLASS TOP



VETRO EXTRACHIARO E VERNICIATO OTTONE DARK 105M
EXTRA CLEAR GLASS OR 105M DARK BRASS FINISH



VETRO EXTRACHIARO, VERNICIATO OTTONE DARK 105M E VETRO FUMÈ
EXTRA CLEAR GLASS, 105M DARK BRASS FINISH AND SMOKED GLASS

